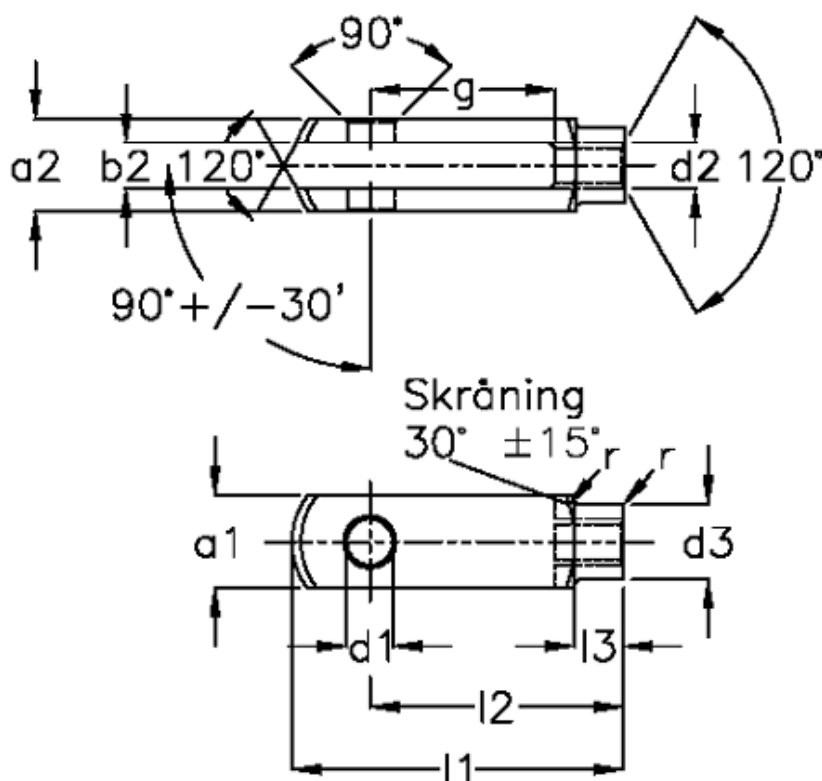


Article number: 2014161431

Description: KLEE St. steel Fork joint GN751-10-20-M10-A-NI
M10x1,5, right

Measures



a1 (h11) = 20
a2 = 20 (+0,3 -0,16)
b1 (B13) = 10
b2 = 10 (B13)
d1 H9 = 10
d2 = M 10 x 1,5
d3 (+/-0.3) = 18
f (+/-0.2) = 0.5

g (+/-0.5) = 20
l1 (+/-0.5) = 52
l2 = 40 (-0,4)
l3 = 15 (+/-0,2)
r = 0.5
Size = G 10 x 20
Weight = 0.074